

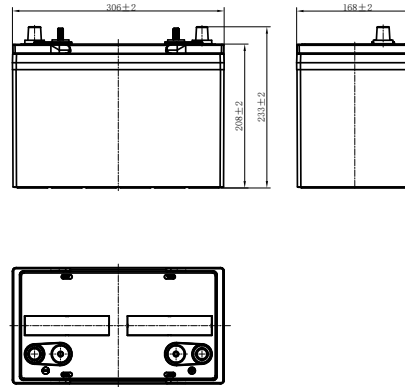
DUAL PURPOSE

DEEP CYCLE STARTING

NPCDP12VDC NX120-7L



Dimensions (mm)



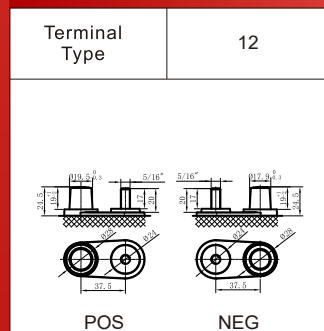
Physical Specification (mm)

| | | |
|------------------------|-----------------------------|----------------------|
| Nominal Voltage | 12V | |
| Nominal Capacity(20HR) | 110Ah | |
| Dimension | Length | 306±2mm(12.05inches) |
| | Width | 168±2mm(6.61inches) |
| | Container Height | 208±2mm(8.19inches) |
| | Total Height(with Terminal) | 233±2mm(9.17inches) |
| Weight | Approx 28.5Kg(62.84lbs) | |
| Standard Terminal | 12 | |
| Cell layout | 1 | |
| Hold-Down | B0 | |
| Cell plate qty | / | |
| Case | Black-PP Material | |
| Cover | Black-PP Material | |
| Handle | Black-PP Material | |

Electrical Specification

| | | |
|---|--------------------|--------|
| Rated Capacity | 20 hour rate(4.6A) | 92Ah |
| Reserve Capacity | | 200min |
| Cold Cranking Performance Amps@0°F(-18°C) | | 800A |

Standard Terminal (mm)



Cell Layout

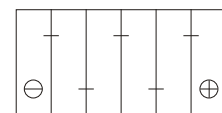
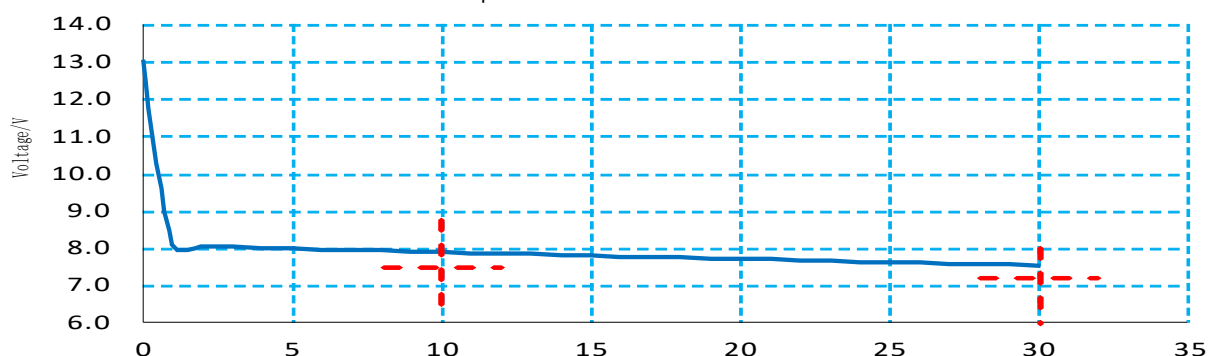


Figure (1)

Discharge Characteristics(-18°C,0°F)

27M-800(CCA- SAE)
 CCA- SAE(@-18)with I=800A
 Spec $U_{10s} \geq 7.5V$ $U_{30s} \geq 7.2V$



*Values are subject to variation of +/- 5% in normal manufacturing processes.
 *Technical specifications and the product line above could be changed without prior notice.